

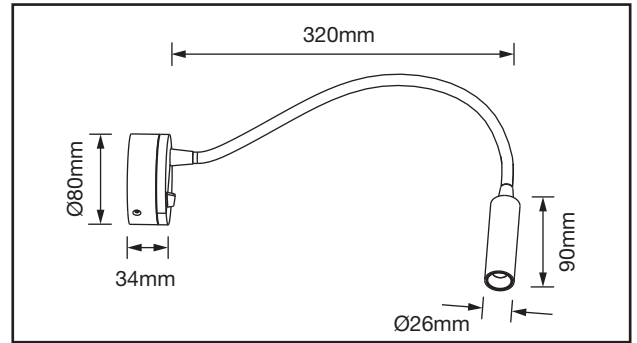
## AWLG030WH/\*\*

2W Polar White Wall Mounted Adjustable Neck LED Reading Light



### PRODUCT FEATURES

- Flexible Matt White Silicone Arm
- Deep Recessed, Low Glare LED
- Matt Black Baffle
- Powdercoated Polar White Body
- Striking Contrasting Low Profile Switch
- Precision CNC Milled Base And Head
- Available In Carbon Black\* Or Polar White\*



### TECHNICAL SPECIFICATIONS

PRODUCT CODE	AWLG030WH/30	AWLG030WH/40
Useful Luminous Flux (LM)	140lm	170lm
CCT (Kelvin)	3000K	4000K
Beam Angle (°)	36°	36°
SDCM	<6	<6
CRI	>80	>80
Peak Intensity	320cd	407cd
Operating Voltage (V)	100-240VAC	100-240VAC
Operating Current (A)	0.1A	0.1A
Output Voltage DC (V)	2.87V	2.87V
Output Current (A max)	0.7A	0.7A
Max Output Power (W)	2W	2W
Class	I	I
Body Material	Aluminium	Aluminium
Frame Colour	Polar White	Polar White
Switching Cycles	<100,000	<100,000
Ingress Protection	IP20	IP20
Ambient Operating Temperature (°C)	-20°C ~ +50°C	-20°C ~ +50°C
Input Frequency (Hz)	50/60Hz	50/60Hz
Guarantee	3 Years	3 Years
Lifetime (L70 B50)	50,000 Hrs	50,000 Hrs

